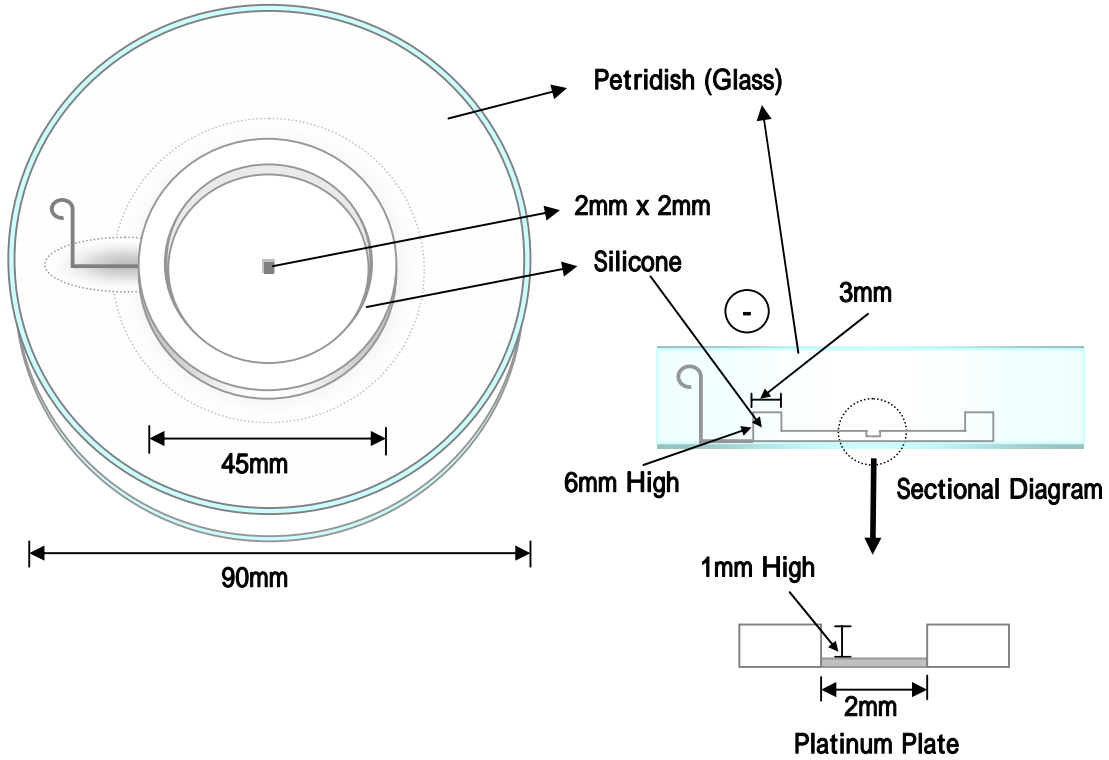


Electrodes

CUY701P2E

Petridish Square Platinum Plate Electrode with Embankment Well, 2mm x 2mm
Connected with CUY701P2L
(Shimamura Type)
For Chick Embryo and Mammalian Tissue



C U Y 701 P 2 L

Cover Square Platinum Plate Electrode, 2mm x 2mm
Connected with CUY701P2E
For Chick Embryo and Mammalian Tissue

