

Electrodes

CUY701P5E, P7E

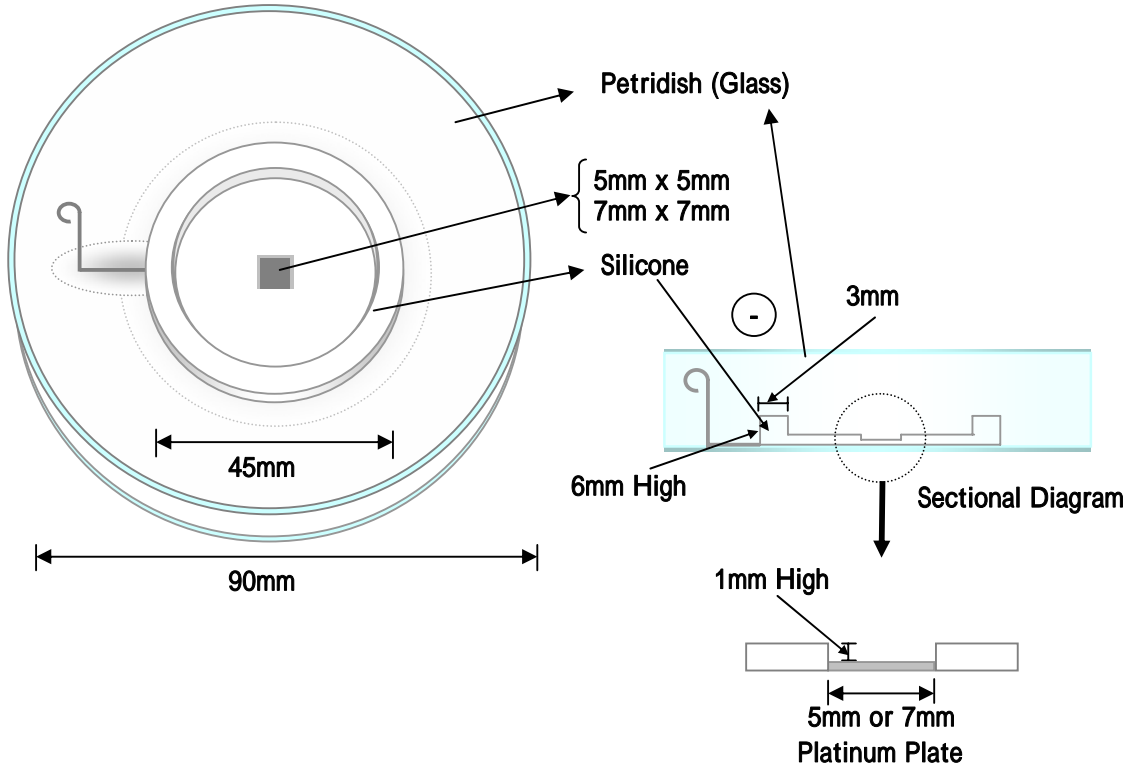
Petridish Square Platinum Plate Electrode with Embankment Well

CUY701P5E: 5mm x 5mm, 1mm High

CUY701P7E: 7mm x 7mm, 1mm High

Connected with CUY701P5L, CUY701P7L

For Chick Embryo and Mammalian Tissue



C U Y 701 P 5 L, P 7 L

Cover Square Platinum Plate Electrode

CUY701P5L: 5mm x 5mm, 1mm High

CUY701P7L: 7mm x 7mm, 1mm High

Connected with CUY701P5E, CUY701P7E

For Chick Embryo and Mammalian Tissue

